

Instructions

Tools Required: 5 mm, 4 mm, 3 mm Allen keys.

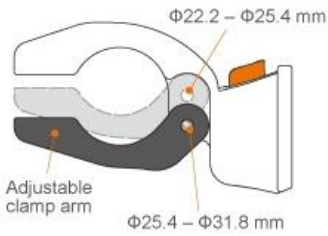
Clamp Parts

- 1 Allen bolt x 2,
- 2 Washer x 2
- 3 Sizing pin x 2
- 4 Rubber shim x 2
- 5 Stem brace
- 6 Nut x 2

ADJUST CLAMP SIZE

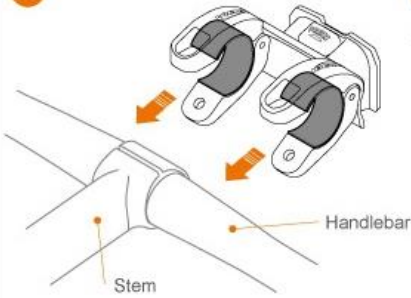
INSTALL CLAMP

1



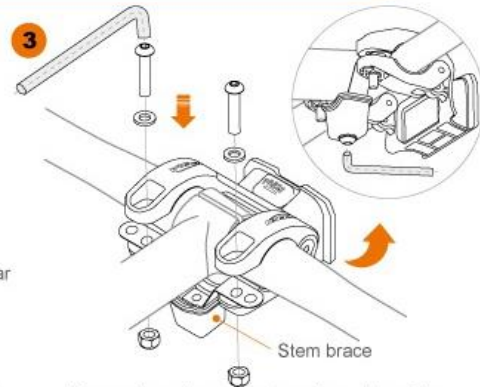
With 4 mm Allen key undo bolts. Remove bolts and washers. Clamp arms have two sets of matching pin holes for smaller or larger diameter handlebars – **default position suits most bars**. To change setting, push pins out with 3 mm Allen key. Reinsert pin into lower holes.

2



Position clamp on middle of handlebars, facing front, button-side up (rubber shims should be flush with clamp arms and sit flat on handlebars).

3



Place stem brace under stem. Align the brace's bolt holes with clamp bolt holes – brace can be bent slightly if necessary. Reinsert clamps bolts with washers. Tighten well. With a 5 mm Allen key, tighten bolt on brace until brace clasps stem firmly.

ATTACH BAG

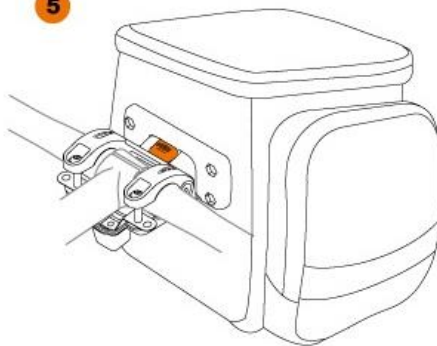
DETACH BAG

4



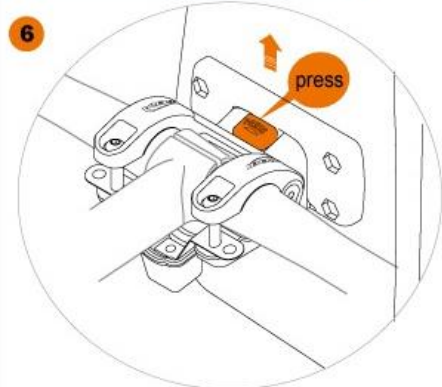
Align fitting on rear of bag with clamp mount.

5



Push bag down, sliding it until it locks into mount. When bag is attached correctly, there should be a distinctive 'click' sound.

6



Press button release while pulling bag upwards with strap at rear of bag.