

Instructions

Tools Required: 5 mm, 4 mm, 3 mm Allen keys.

Clamp Parts

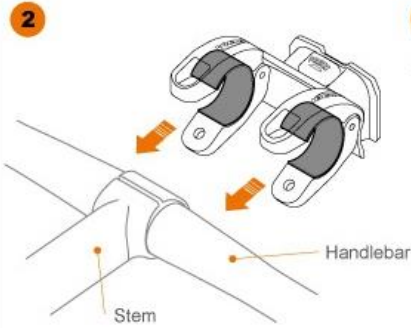
- 1 Allen bolt x 2,
- 2 Washer x 2
- 3 Sizing pin x 2
- 4 Rubber shim x 2
- 5 Stem brace
- 6 Nut x 2

ADJUST CLAMP SIZE

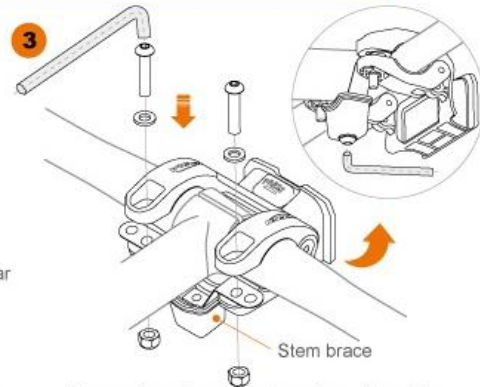
INSTALL CLAMP



With 4 mm Allen key undo bolts. Remove bolts and washers. Clamp arms have two sets of matching pin holes for smaller or larger diameter handlebars – **default position suits most bars**. To change setting, push pins out with 3 mm Allen key. Reinsert pin into lower holes.



Position clamp on middle of handlebars, facing front, button-side up (rubber shims should be flush with clamp arms and sit flat on handlebars).



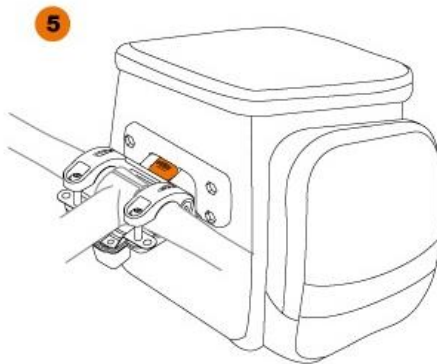
Place stem brace under stem. Align the brace's bolt holes with clamp bolt holes – brace can be bent slightly if necessary. Reinsert clamps bolts with washers. Tighten well. With a 5 mm Allen key, tighten bolt on brace until brace clasps stem firmly.

ATTACH BAG

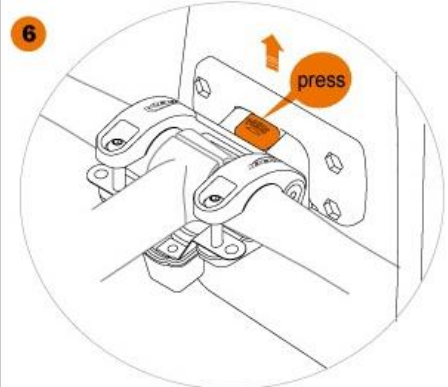
DETACH BAG



Align fitting on rear of bag with clamp mount.



Push bag down, sliding it until it locks into mount. When bag is attached correctly, there should be a distinctive 'click' sound.



Press button release while pulling bag upwards with strap at rear of bag.